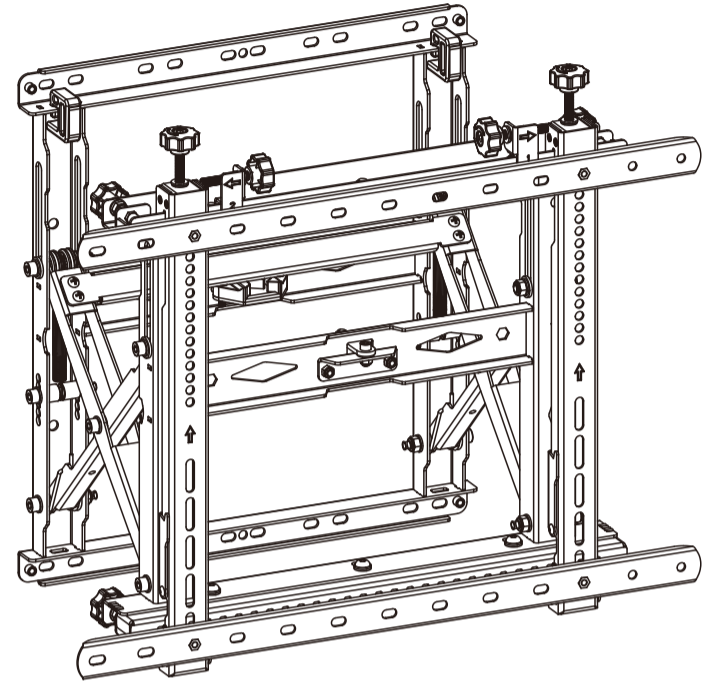




VERDANTÉ

Instruction Manual

POP-OUT VIDEO WALL MOUNT



VVIDWALLPL

VESA Compatible
200x200 300x200 400x200
300x300 400x300
400x400 600x400

70"
MAX

70kg
(154lbs)
RATED

V1

8

Note: Use the plastic locking piece to measure and keep a 1 mm gap between displays.

Note: Install/adjust the displays by the numerical order given.

9

Kickstands provide tilt access for easy cable management and maintenance.

10

5

Use a padlock to prevent the display from being stolen (The padlock is not included).

6

RIGHT LEFT

Z
Y
X

LEFT RIGHT

LEFT RIGHT

7

E

D

LEFT RIGHT

LEFT RIGHT

LEFT RIGHT

LEFT RIGHT

LEFT RIGHT

LEFT RIGHT

